

NorSap 1000

When in need of comfortable seating in high waters or at high speed, the NorSap 1000 with suspension base is a natural choice. Article No.: 602850



The chair is height and tilt adjustable and has a release bar for forward / aft adjustment.

The chairs finishing is black powder coating combined with black leather seating.

The chair can be equipped with seat belts, two or four points, and casing for controlling equipment in the armrest



norsap.com

– With 2 point seat belt
Belt art. No.: 6461

– With 4 point seat belt
Belt art. No.: 6460

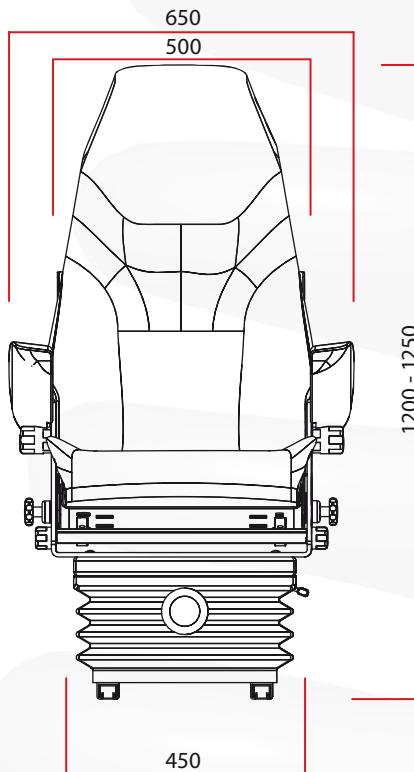


Functions

- Back rest angle adjustment
- Arm rest angle adjustments
- Seat rest angle adjustment
- Weight adjustment
- Horizontal chair adjustment
- Seat frame angle adjustment
- Seat rest and arm rests can be tilted to an upwards position.

Optional

- Seat fabric and colour alternatives. <http://norsap.com/upholstery>
- Armrest equipment. <http://norsap.com/extras>



Dimensions

Seating height	410 mm - 460 mm
Travel distance	200 mm in 10 mm increments
Weight	68 Kg
User Weight Adjustment	80 - 150 Kg
Total height	1200 - 1250 +/- mm

Contact

NorSap AS - Mjåvannsveien 35 - 4628 Kristiansand - Norway
Tel +47 38 18 52 00 / Fax +47 38 18 20 86

To find your nearest dealer, please visit <http://norsap.com/dealers>

