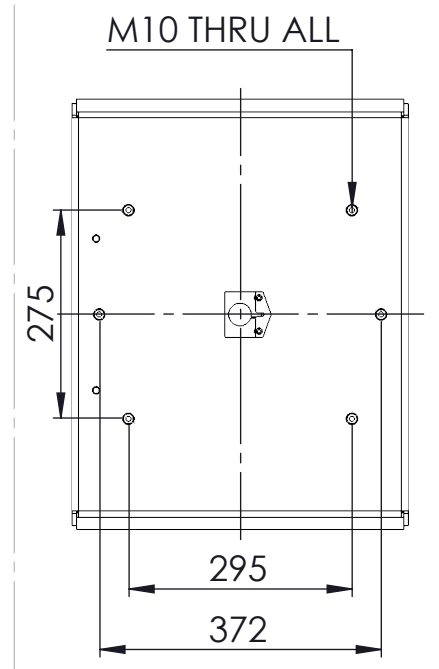


All sitting heights measured without load - a variation may occur depending on the load due to contraction of gas-struts, springs, upholstery and third part equipment. All information herein contained is subject to change without notice unless under contractual configuration control. Please consult NorSap if dimensions are critical or a certified drawing is required. www.norsap.no

Chair interface:



Weight: 3746.64



Mjävannsvegen 45/47
NO 4626 Kristiansand (Norway)

Description:
BASIC DECK RAIL TOP MOUNTED

Art.-No.: 6650-1500	Date: 07.01.2020	Revision:
-------------------------------	----------------------------	-----------