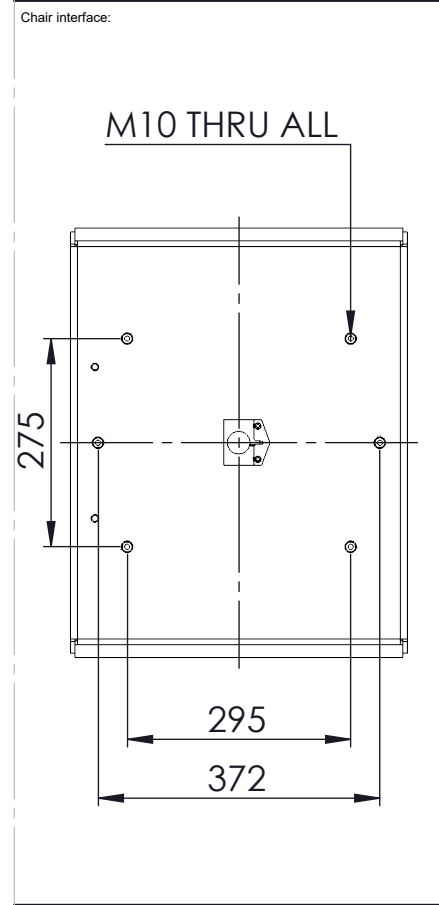


All sitting heights measured without load - a variation may occur depending on the load due to contraction of gas-struts, springs, upholstery and third part equipment. All information herein contained is subject to change without notice unless under contractual configuration control. Please consult NorSap if dimensions are critical or a certified drawing is required.

[www.norsap.no](http://www.norsap.no)



Weight: 5459.70		
		Mjävannsvegen 45/47 NO 4626 Kristiansand (Norway)
Description: <b>BASIC DECK RAIL TOP MOUNTED</b>		
Art.-No.:	Date:	Revision:
6650-3000	07.01.2020	