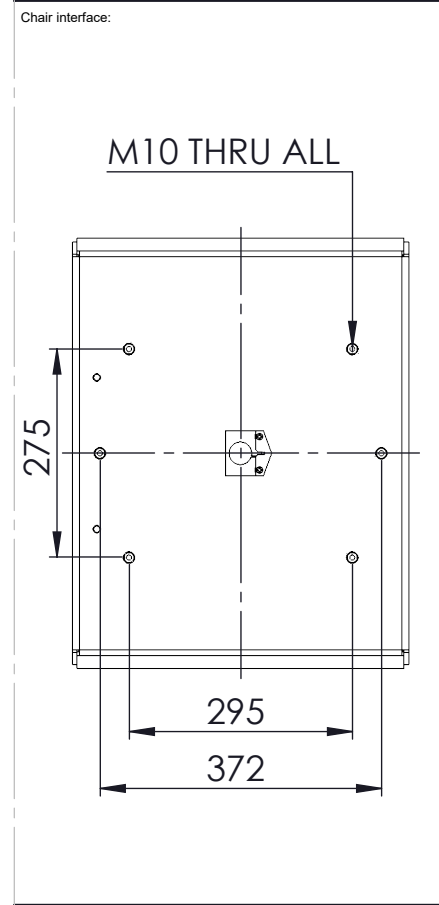



All sitting heights measured without load - a variation may occur depending on the load due to contraction of gas-struts, springs, upholstery and third part equipment. All information herein contained is subject to change without notice unless under contractual configuration control. Please consult NorSap if dimensions are critical or a certified drawing is required. www.norsap.no



Weight: 8856.82		
 Mjåvannsvegen 45/47 NO 4626 Kristiansand (Norway)		
Description: BASIC DECK RAIL FLUSH MOUNTED		
Art.-No.:	Date:	Revision:
6651-2500	08.01.2020	