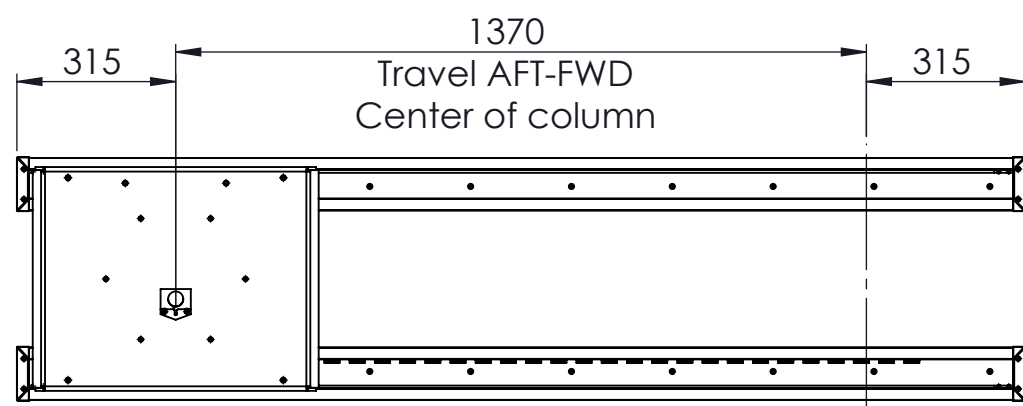
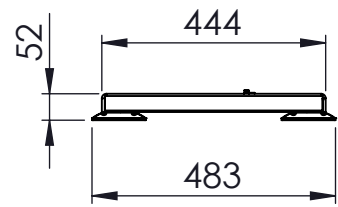


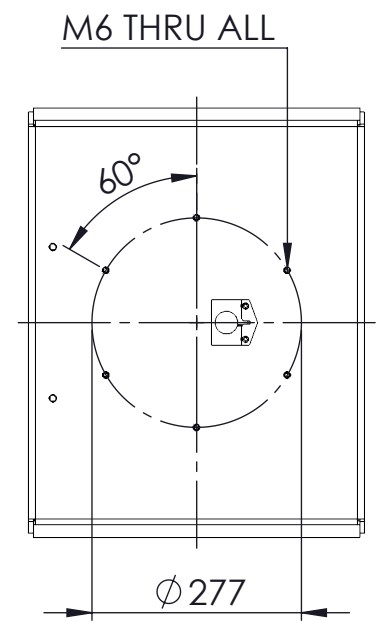
367



All sitting heights measured without load - a variation may occur depending on the load due to contraction of gas-struts, springs, upholstery and third part equipment. All information herein contained is subject to change without notice unless under contractual configuration control. Please consult NorSap if dimensions are critical or a certified drawing is required.

www.norsap.no

Chair interface:



Weight: 4383.05		
		Mjävannsvegen 45/47 NO 4626 Kristiansand (Norway)
Description: BASIC DECK RAIL TOP MOUNTED		
Art.-No.:	Date:	Revision:
6676-2000	20.01.2020	