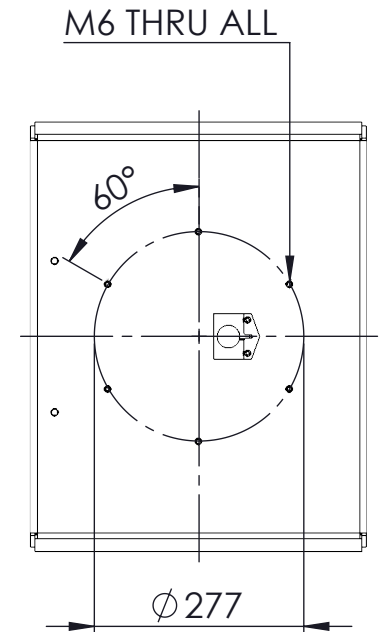


All sitting heights measured without load - a variation may occur depending on the load due to contraction of gas-struts, springs, upholstery and third part equipment. All information herein contained is subject to change without notice unless under contractual configuration control. Please consult NorSap if dimensions are critical or a certified drawing is required.

www.norsap.no

Chair interface:



Weight: 0.00



Mjävannsvegen 45/47  
NO 4626 Kristiansand (Norway)

Description:  
**BASIC DECK RAIL TOP MOUNTED**

Art.-No.: 6676-3000	Date: 20.01.2020	Revision:
------------------------	---------------------	-----------