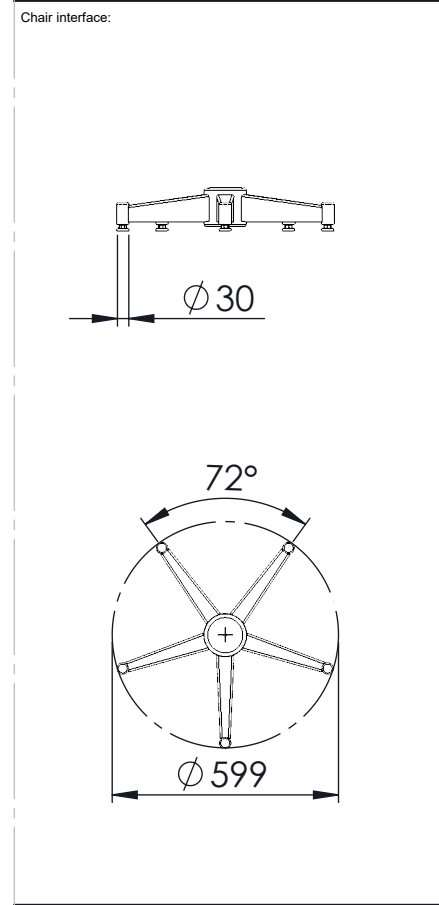


All sitting heights measured without load - a variation may occur depending on the load due to contraction of gas-struts, springs, upholstery and third part equipment. All information herein contained is subject to change without notice unless under contractual configuration control. Please consult NorSap if dimensions are critical or a certified drawing is required.

www.norsap.no



Weight: 82.60

Mjåvannsvegen 45/47
NO 4626 Kristiansand (Norway)

Description:
NS1100 OFFICE

Art.-No.: 5083	Date: 19.12.2019	Revision: A 1
-------------------	---------------------	------------------