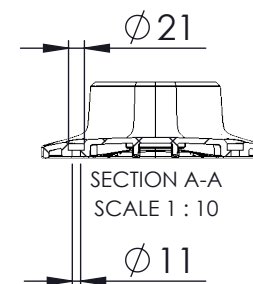
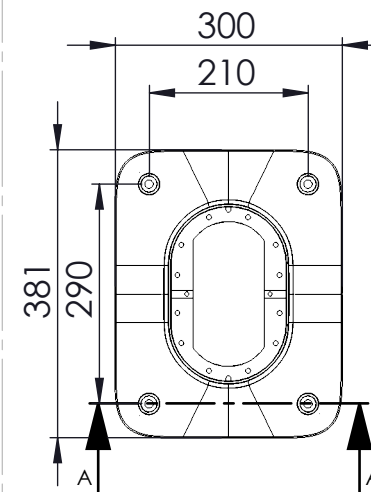


All sitting heights measured without load - a variation may occur depending on the load due to contraction of gas-struts, springs, upholstery and third part equipment. All information herein contained is subject to change without notice unless under contractual configuration control. Please consult NorSap if dimensions are critical or a certified drawing is required.

www.norsap.no

Chair interface:



Weight: 94722.16



Mjävannsvegen 45/47
NO 4626 Kristiansand (Norway)

Description:
1100 w/yacht footrest & flatoval column

Art.-No.:
5182

Date:
20.12.2019

Revision: