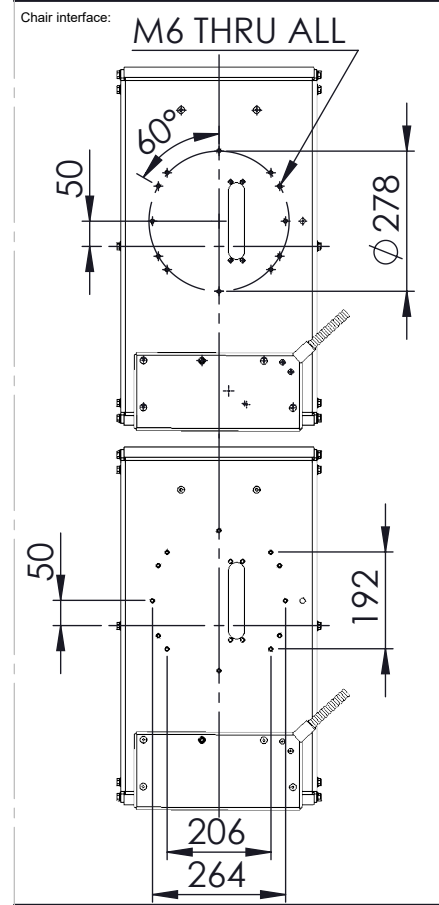



All sitting heights measured without load - a variation may occur depending on the load due to contraction of gas-struts, springs, upholstery and third part equipment. All information herein contained is subject to change without notice unless under contractual configuration control. Please consult NorSap if dimensions are critical or a certified drawing is required.

www.norsap.no



Weight: 0.0		
		Mjåvannsvegen 45/47 NO 4626 Kristiansand (Norway)
Description: BASIC DECK RAIL FLUSH MOUNTED, NARROW		
Art.-No.: 6251-2000	Date: 02.07.2020	Revision: