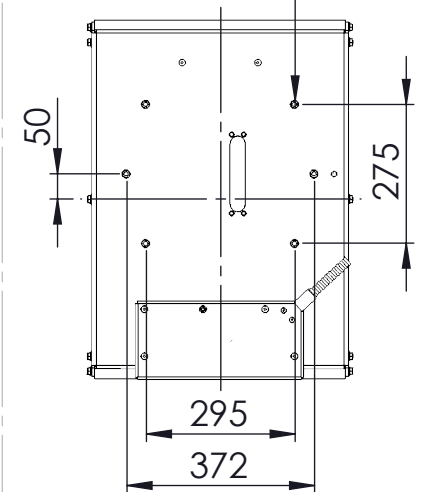


All sitting heights measured without load - a variation may occur depending on the load due to contraction of gas-struts, springs, upholstery and third part equipment.
 All information herein contained is subject to change without notice unless under contractual configuration control.
 Please consult NorSap if dimensions are critical or a certified drawing is required.

www.norsap.no

Chair interface:

M10 THRU ALL



Weight: 0.0



Mjåvannsvegen 45/47
 NO 4626 Kristiansand (Norway)

Description:
STANDARD DECK RAIL FLUSH MOUNTED W/CONVEYER

Art.-No.:	Date:	Revision:
6355-1500	02.07.2020	