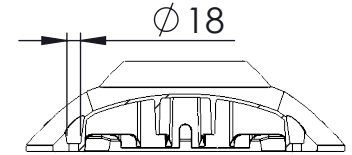


All sitting heights measured without load - a variation may occur depending on the load due to contraction of gas-struts, springs, upholstery and third part equipment. All information herein contained is subject to change without notice unless under contractual configuration control. Please consult NorSap if dimensions are critical or a certified drawing is required.

www.norsap.no

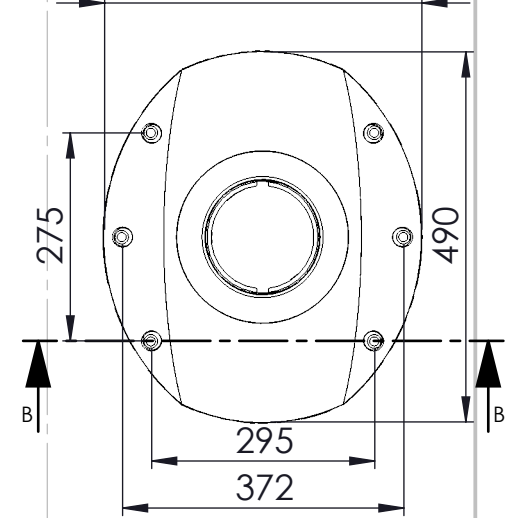
Chair interface:



SECTION B-B
SCALE 1 : 10



420



B

B

Weight: 55.00



Mjåvannsvegen 45/47
NO 4626 Kristiansand (Norway)

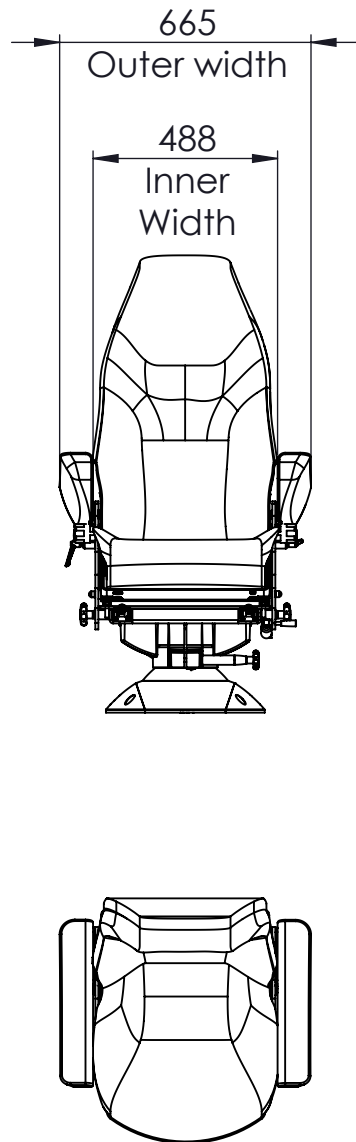
Description:

NS1500 STANDARD H410

Art.-No.:
6405

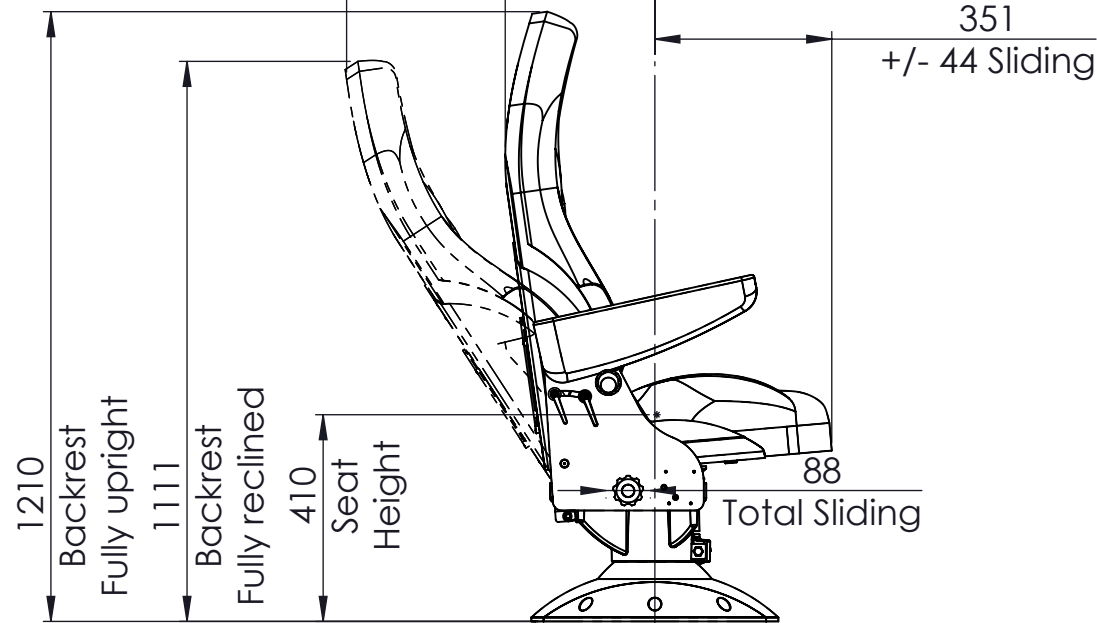
Date:
17.04.2020

Revision:
A 4



584
+/- 44 Sliding
Backrest
Fully upright

289
+/- 44 Sliding
Backrest
Fully upright



1210
Backrest
Fully upright

1111
Backrest
Fully reclined

410
Seat
Height

351
+/- 44 Sliding

88
Total Sliding