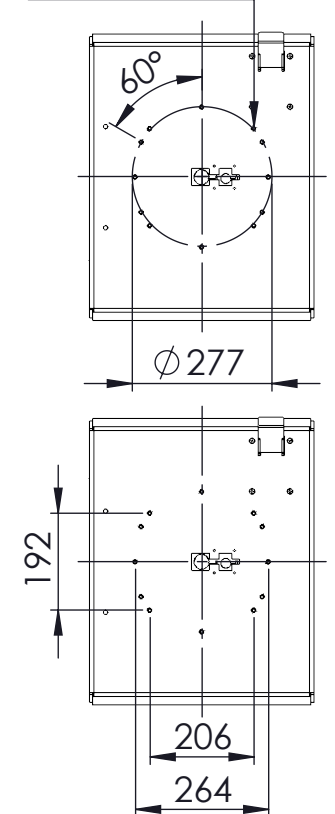


All sitting heights measured without load - a variation may occur depending on the load due to contraction of gas-struts, springs, upholstery and third part equipment. All information herein contained is subject to change without notice unless under contractual configuration control. Please consult NorSap if dimensions are critical or a certified drawing is required.

www.norsap.no

Chair interface:

M6 THRU ALL



Weight: 0.0



Mjåvannsvegen 45/47
NO 4626 Kristiansand (Norway)

Description:

BASIC DECK RAIL FLUSH MOUNTED, FOOT RELEASE

Art.-No.:
6679-2000

Date:
25.06.2020

Revision: