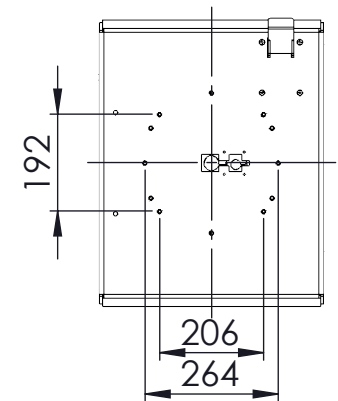
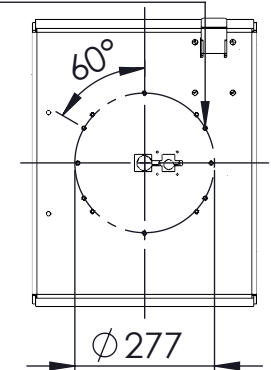


All sitting heights measured without load - a variation may occur depending on the load due to contraction of gas-struts, springs, upholstery and third part equipment.
 All information herein contained is subject to change without notice unless under contractual configuration control.
 Please consult NorSap if dimensions are critical or a certified drawing is required.

www.norsap.no

Chair interface:

M6 THRU ALL



Weight: 0.0



Mjåvannsvægen 45/47
 NO 4626 Kristiansand (Norway)

Description:

BASIC DECK RAIL FLUSH MOUNTED, FOOT RELEASE

Art.-No.:

6679-2500

Date:

26.06.2020

Revision: