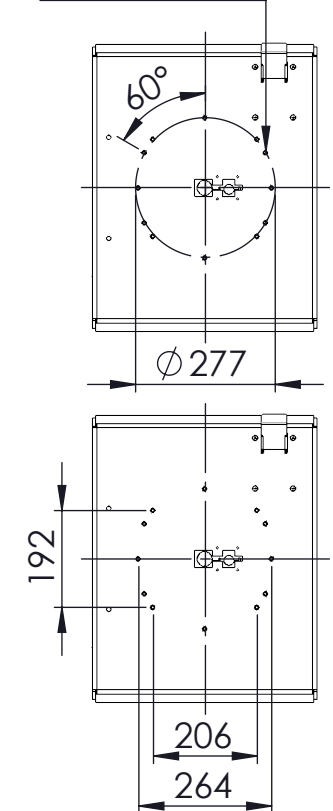


All sitting heights measured without load - a variation may occur depending on the load due to contraction of gas-struts, springs, upholstery and third part equipment. All information herein contained is subject to change without notice unless under contractual configuration control. Please consult NorSap if dimensions are critical or a certified drawing is required.

www.norsap.no

Chair interface:

M6 THRU ALL



Weight: 0.0



Mjåvannsvegen 45/47  
NO 4626 Kristiansand (Norway)

Description:

**BASIC DECK RAIL FLUSH MOUNTED, FOOT RELEASE**

Art.-No.:

6679-3000

Date:

26.06.2020

Revision: