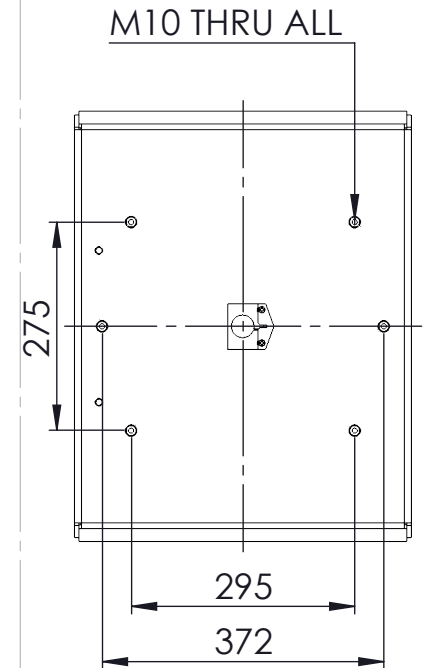


All sitting heights measured without load - a variation may occur depending on the load due to contraction of gas-struts, springs, upholstery and third part equipment.  
 All information herein contained is subject to change without notice unless under contractual configuration control.  
 Please consult NorSap if dimensions are critical or a certified drawing is required.

www.norsap.no

Chair interface:



Weight: 7419.21



Mjåvannsvegen 45/47  
 NO 4626 Kristiansand (Norway)

Description:

**BASIC DECK RAIL FLUSH MOUNTED**

Art.-No.:

6651-1000

Date:

08.01.2020

Revision: