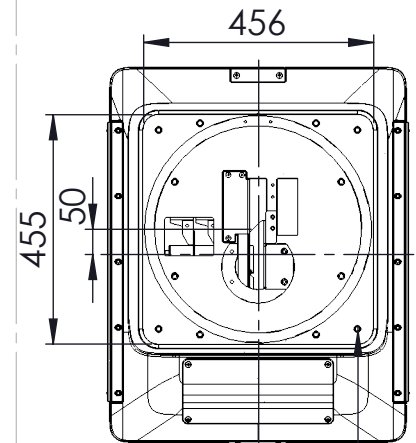


All sitting heights measured without load - a variation may occur depending on the load due to contraction of gas-struts, springs, upholstery and third part equipment.
 All information herein contained is subject to change without notice unless under contractual configuration control.
 Please consult NorSap if dimensions are critical or a certified drawing is required.

www.norsap.no

Chair interface:



Ø 9 THRU ALL
 M10 - 6H THRU ALL

Weight: 0.00



Mjåvannsvegen 45/47
 NO 4626 Kristiansand (Norway)

Description:
IMPULSE DECK RAIL FLUSH MOUNTED

Art.-No.: 6696-1500	Date: 21.01.2020	Revision:
------------------------	---------------------	-----------