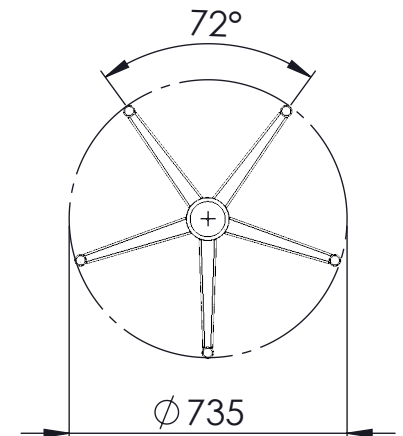
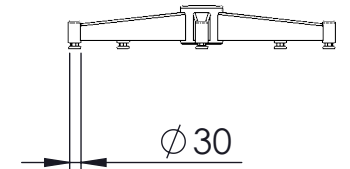


All sitting heights measured without load - a variation may occur depending on the load due to contraction of gas-struts, springs, upholstery and third part equipment. All information herein contained is subject to change without notice unless under contractual configuration control. Please consult Norsap if dimensions are critical or a certified drawing is required.

[www.norsap.no](http://www.norsap.no)

Chair interface:



Weight:



Mjävannsvegen 45/47  
NO 4626 Kristiansand (Norway)

Description:

**NS1000 Office Standard low without footrest**

Art.-No.:  
6016

Date:  
17.12.2019

Revision:  
A 4