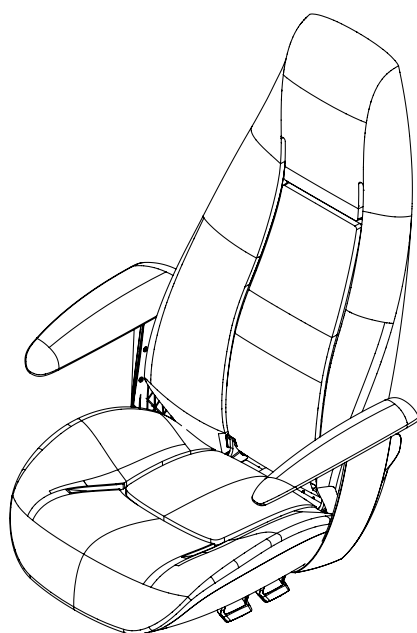
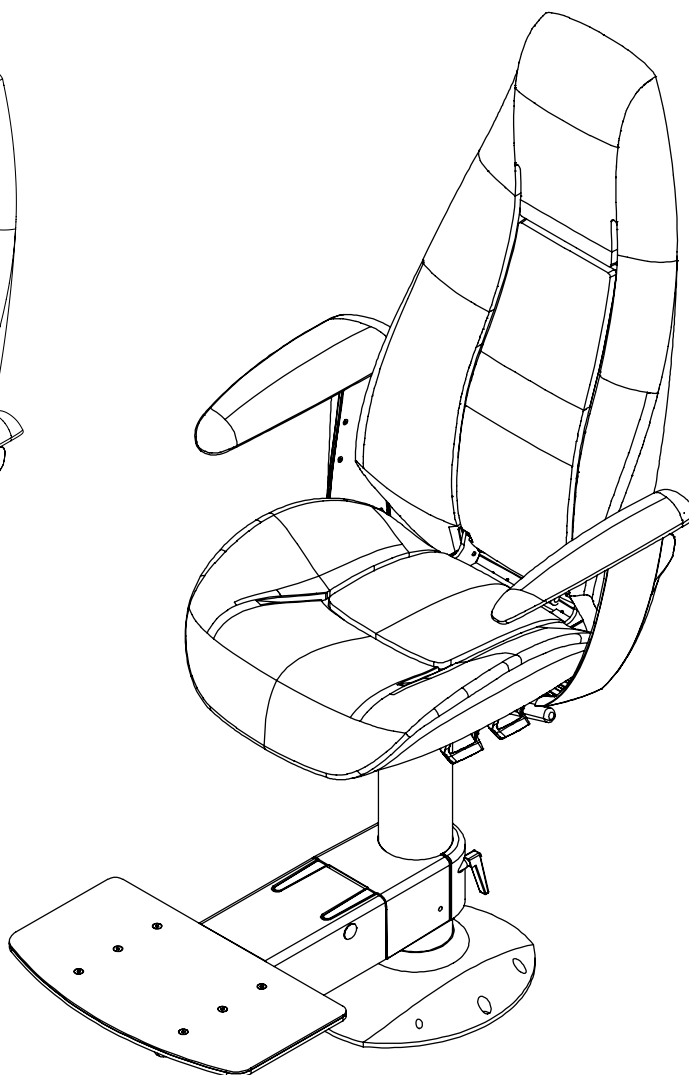


User manual

# Norsap 1100



5090 - Norsap 1100 Box mounted



5075 - Norsap 1100

---

## Norsap models

5025 / 5050 / 5075  
5090

5080 / 5083 / 5085

## Column heights:

39-49 / 51-69 / 63-92 cm

Box Mounted

## Office heights:

41-51 / 53-71 / 65-94 cm

---



## INTRODUCTION

Norsap is the recognized leader in the design and production of helmsman and operator seats for the maritime market.

This manual will help you make the most out of your Norsap chair.

If you have any questions regarding your Norsap chair, please contact our head office for further assistance.

## TABLE OF CONTENTS

Introduction.....	
Safety.....	
Care and maintenance of leather.....	
Care and maintenance of fabric.....	
Maintenance of moving parts.....	
Functions.....	
Mounting holes measurements .....	
Mounting on a deck rail .....	
Shipping & storing .....	
Changing cushions.....	

## SAFETY

Be sure to keep hands and fingers out of moving parts areas when operating the chair.

## CARE AND MAINTENANCE OF LEATHER

As a natural product, leather is very durable and hardwearing, but all leather products require cleaning and protection. By following these instructions, you will ensure a long and lasting leather quality. Never place leather furniture closer than 20-30 cm to a radiator or in direct sunlight.

### LEATHER CLEANING

Cleaning removes everyday dirt and stains from your leather. Without proper cleaning the leather will over a period of time leave grease spots or discoloration's. To avoid this, clean with Soft Cleaner on a regular basis. We advise once a month.

### LEATHER PROTECTION

Protect your leather to guarantee that the original quality of the leather will be maintained. Use Leather Protection Cream, we advise 2-4 times a year. This will protect against spots and preserve the leathers softness.

## CARE AND MAINTENANCE OF FABRIC

Regular light vacuuming. Occasional cleaning should be done with a reputable brand of upholstery shampoo following the manufacturer's instructions

## MAINTENANCE OF MOVING PARTS

Glide parts of the chair can be lubricated with a silicone-based lubricant. If the chair is on a deck rail, it is important that the deck rails railway is NOT lubricated.

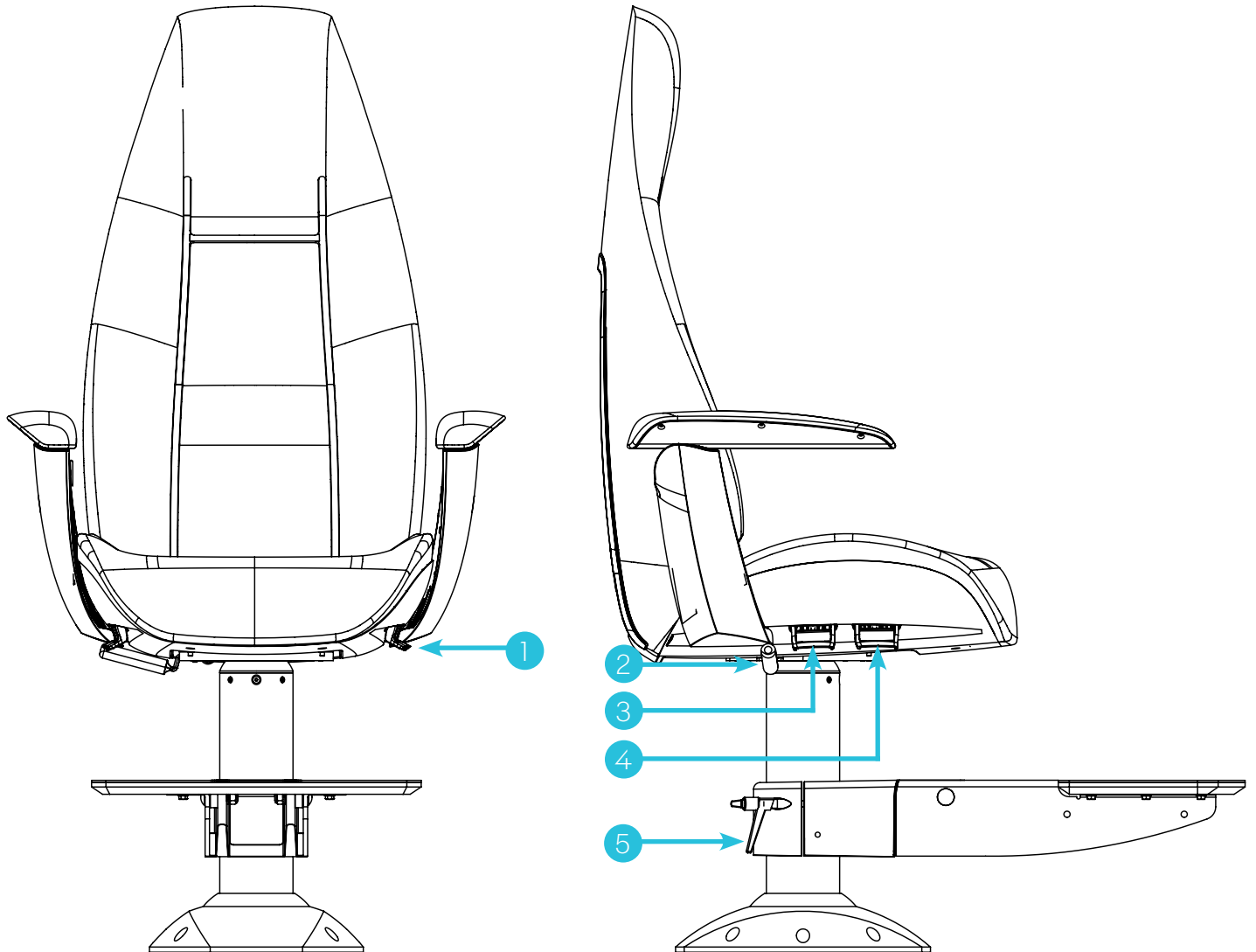


Telephone  
+47 38 18 52 00

E-mail  
sale@norsap.com

Web  
norsap.com

# FUNCTIONS OF THE NORSAP 1100 CHAIR

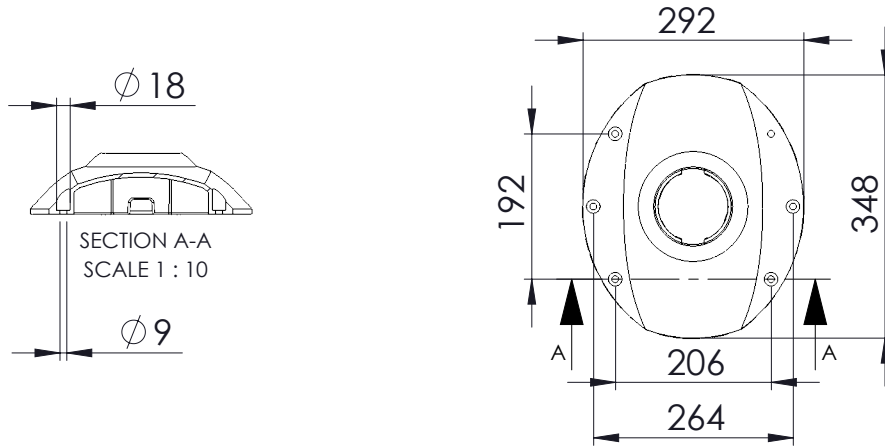


1. Seat forward / aft adjustment release handle
2. Swivel / turn release handle (up to 360 degrees).
3. Backrest release handle (Fully reclining backrest)
4. Height adjustment release handle for backrest
5. Height adjustment release handle for footrest

# MOUNTING HOLES MEASUREMENTS

A strong and level foundation is required to secure the installation of the base.

It may occur that during storage or transport that the telescope column fastens in the lower position. This can easily be adjusted by fastening the lockable arm for swing, lift up the release handle at the same time pull up the chair.



## MOUNTING ON A DECK RAIL

First make sure to have mounted the deck rail according to its user manual.

The bolts for mounting the chair to the deck rail is already in place on the carrier wagon.

- If you have an electrical deck rail and the cabling of the switch is done by quick-connections already implemented in the chairs column.
- If you have a manual deck rail with release from seated position, the mounting of the release lever is shown in the deck rails user manual.
- If you have a basic deck rail, the wiring and mounting of the release lever is shown in the deck rails user manual.

## SHIPPING AND STORAGE SPECIFICATIONS

The chair should be shipped and stored in an upright condition.

No other materials should be shipped or stored on top of a the chair or deck rail.

The chair should be shipped and stored at temperatures between  $-20^{\circ}\text{C}$  and  $+40^{\circ}\text{C}$ .

The chair should not be operated until its been acclimatized between  $0^{\circ}\text{C}$  and  $+30^{\circ}\text{C}$ .

The chair should be kept in a clean, dry environment.

Upon receipt, we recommend that the shipping packaging be immediately examined for damage. Any damage should be noted on the delivery receipt and a request for inspection by the transportation company should be made. The shipping packaging should be opened immediately and the chair or the deck rail examined for concealed shipping damage.

If the chair appears to be damaged, a concealed bad order report should be immediately filed with the transportation company.

# REPLACING SEAT PILLOWS

If your upholstery is damaged or worn, its recommended to replace the whole part.  
To re-fit new leather (or other) on existing cushions is not recommended.

If the chair is intended to be used under extreme conditions, an additional seat cover is advised.

Item Name	Item No.
Norsap 1000 Backrest Cushion	PUTE-003
Norsap 1000 Seat Pillow	PUTE-004
Seat cover in fabric	5096

The seat cushion is connected to the base with four (4) double ended pine tree clip in nylon (1.).

REMOVE : Grip the seat at the front and back edge. Lift and pull to remove.

REPLACE : Align the seat cushion over the four pine tree clips and push down until you hear it clicks.

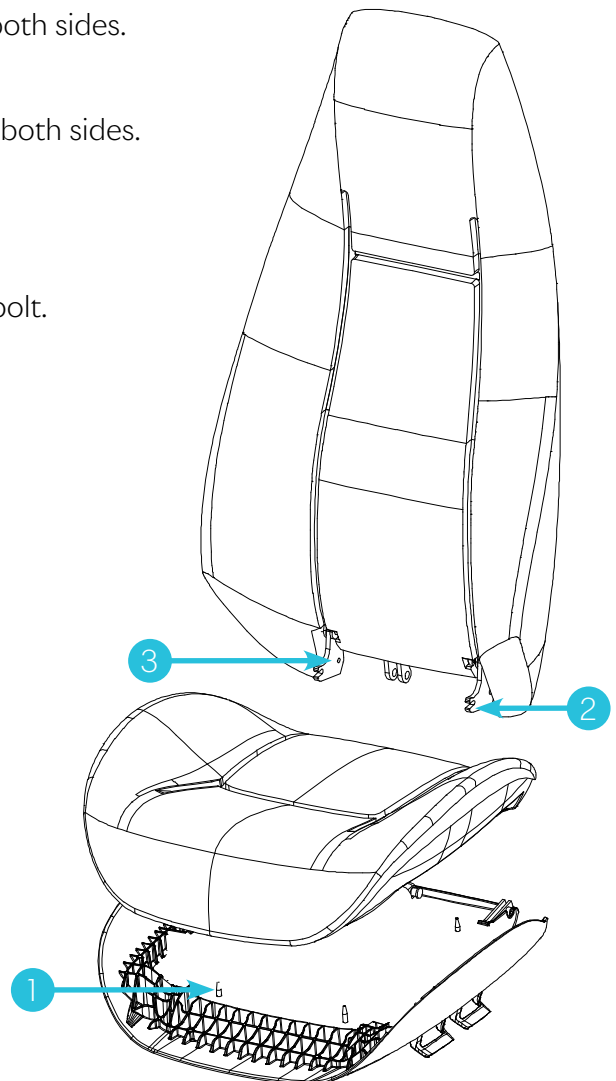
Note: extra pine tree clip is delivered with each chair - Item no: LAAS-026

## BACKREST CUSHION

1. To replace the backrest cushion, remove the seat cushion first.
2. Loosen the bolts on the back hinge mounting plate on both sides. To easily access the bolts, recline the backrest.
3. Remove the bolts on the back hinge mounting plate on both sides. To access the bolts, pull aside the cushion in the bottom corner from the outside.

Remove the Seeger ring to remove the wire/gas strut. Remove the wire/gas strut by pressing the bolt.

Repeat this backwards to assemble the backrest.



# Replacing armrests

To replace the armrest cushions, unscrew the seven (7) screws holding the armrest cushion in place and remove them. Align the new armrest cushion in place and use the same screws to secure the new cushion in place.

Item Name  
Norsap 1100 Armrest cushion  
in black leather Left  
Norsap 1100 Armrest cushion  
in black leather Right

Item No.  
PUTE-120V  
PUTE-120H

