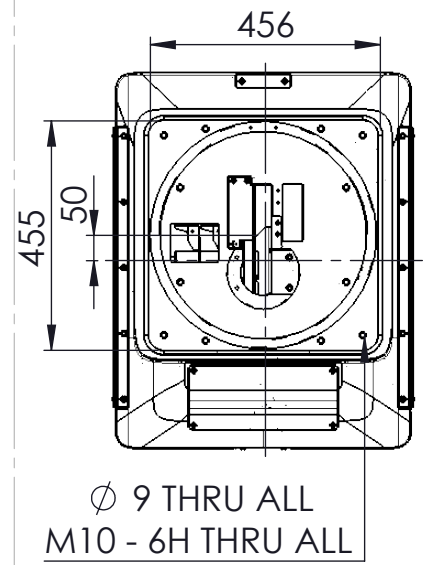


All sitting heights measured without load - a variation may occur depending on the load due to contraction of gas-struts, springs, upholstery and third part equipment. All information herein contained is subject to change without notice unless under contractual configuration control. Please consult Norsap if dimensions are critical or a certified drawing is required.

www.norsap.no

Chair interface:



Weight: 0.00



Mjävannsvegen 45/47
NO 4626 Kristiansand (Norway)

Description:
ACTIVE DECK RAIL FLUSH MOUNTED

Art.-No.: 6693-2000	Date: 15.03.2022	Revision:
------------------------	---------------------	-----------